

床面桌安装指导书

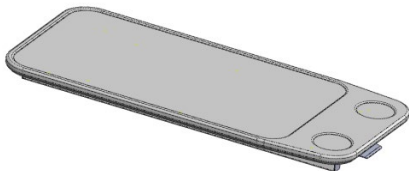
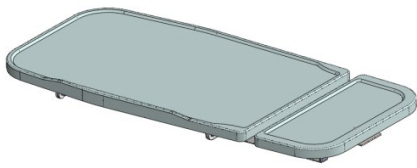
Over bed table assembly instruction

1. 从纸箱取出各组件,包含以下三个组件及配件包.

Take out following three components and installation kits from the carton box.

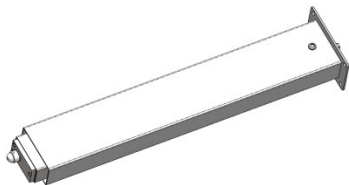
- 1) 面板组件 (多种材料及颜色的桌面板, 对应不同型号)

Table top (depend on the model, different top material and colors)



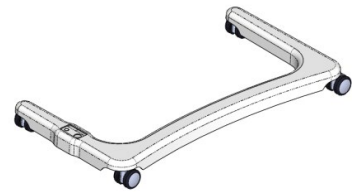
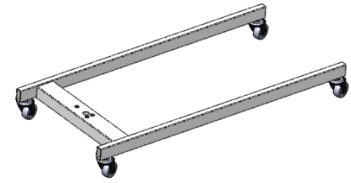
- 2) 立柱组件 (包含不同调节高度, 对应不同型号)

Column (Depend on the model, there are different stroke column)



- 3) 底架组件 (包含 H 形及 C 形底架, 对应不同型号)

Base (There are H shape and C shape Base which depend on different model)

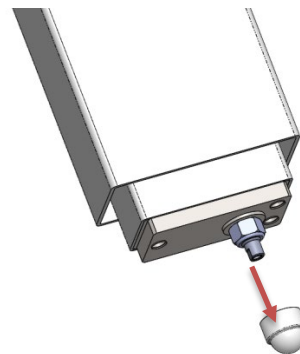


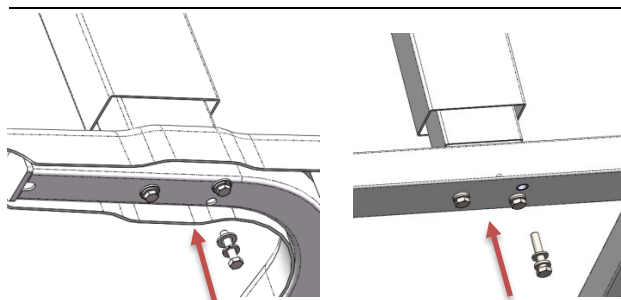
- 4) 螺丝配件包 (M8x55 螺杆, 锁紧垫片, 平垫片, M8x15 螺丝, 螺丝盖)
Assembly kits (M8x55 bolts, lock washer, plain washer, M8x15 screw, plastic cap)



2. 先取下螺母盖, 立柱组件与底架组件安装孔对齐, 用 3 颗长螺丝 M8x55+弹簧垫片+平垫片锁紧。

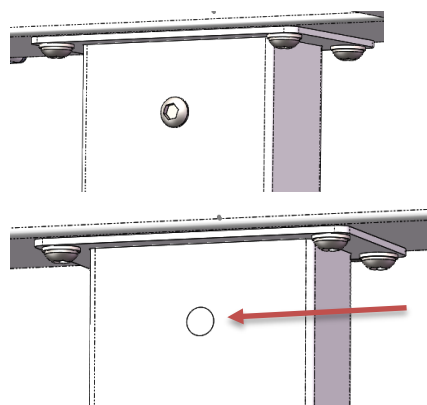
Remove the nut cover, align the column with the mounting hole of the base, and lock it with 3pcs M8x55 bolts, lock washers and plain washers.





C 形底架
C Base

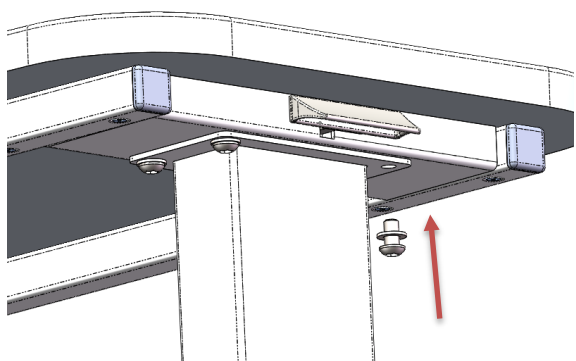
H 形底架
H Base



螺丝盖
Plastic cap

3. 面板组件与立柱安装孔对齐，用 4 颗短螺丝 M8x15+平垫片锁紧。

Align the top with the column mounting hole and lock it with 4pcs M8x15 screws and plain washers.



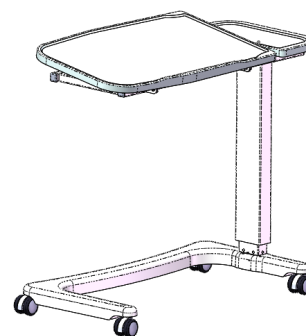
4. 卸下立柱上的保护螺丝,然后装上白色装饰盖,就可以自由调节桌面板高度。

Remove the lock screws on the column, and then install the white screw cap, then the table top height can be freely adjusted



5. 以下是 HT110 与 MT210 成品示意图, 其他款床面桌在此基础上互换桌面。

Below images are for HT110 and MT210, other models will be different with the top



编码:
名称:
版本:
要求: 80G 双胶 A4 纸, 对折 A5 大小, 双面印刷, 1+1C 黑

制作:
审核:
批准:
(此框不印刷)