



Eclipse Examination Couches User Manual

Models Applied: EE120, EE220, EE320, EP120, EP220, EP320

Prepared Date: 6/8/2018

Revised Date: 6/8/2018

Caretek (China) Medical PLC

 **CONTENT**

1. INTRODUCTION	01
2. WARNINGS AND CAUTIONS	02-03
3. ELECTRIC FUNCTIONS	04
3.1 Foot Pedal Operation & Deck Height Adjustment	05
4. GENERA OPERATION	06
4.1 Switchover of Fixed and Mobile Mode of Castor	06
4.2 Backrest Adjustment	07
4.3 Keen Positioning Adjustment	07
5. SPECIFICATIONS	08
5.1 Pacific Series Specifications	08
5.2 Parameters	09
6. CLEANING	10
7. MAINTENANCE	11
8. TRANSPORTATION AND STORAGE	12
9. ACCESSORIES	13
10. WARRANTY AND SERVICE	13

1. INTRODUCTION

This user manual is to ensure that the user correctly uses the electric examination couch. Please read this instruction manual completely before assembly and operation. Strictly follow the precautions in the instruction manual, otherwise it may cause harm to patients or operators.

This electrically actuated examination couch has a range of functions and positional movements that assist caregivers and provide for patient comfort. Ease of use, functionality, serviceability and cleaning practicality are key features of this couch. The couch has a fabricated steel structure with a powder coated finish. The plastic components are made from polyurethane, PP and POM nylon, ABS and HDPE plastic.

Clinical Applications and Area of Use

This bed is for medical personnel to do examination, diagnosis and care for patients.

Key Features

- Linak Hi-Low Drive with Footswitch as Standard
- 3" Retractable Wheels - Perfect Stability
- Leveling Foot for Uneven Floors
- Optional - Full ABS Plastic Undercarriage Cover
- Manually Operated Gas Assisted Back Rest Positioning
- Manually Operated Gas Assisted Foot Rest Positioning
- M1 Flame Retardant Vinyl Upholstery
- Breath Hole (two & three section couches standard)
- Optional - Fold Down Arm/Side Supports
- Optional - Paper Roll Holder

2. WARNINGS & CAUTIONS

It is **important that this User Manual is read in its entirety prior to the operation of the bed**. The manual is designed to ensure that users are equipped with the information required to competently and responsibly operate the bed and its accessories.

It is recommended that the User Manual be kept in an easily assessable place for quick reference. If required CareTek product specialists can provide additional training.

All warnings and cautions within this manual should be strictly adhered to. Failure to do so could result in harm to the patient, or operator.

Warnings highlighted throughout this manual identify possible hazards in procedures or conditions, which if not followed correctly could result in serious injury or fatality.

Cautions highlighted throughout this manual identify possible hazards in procedures or conditions, which if not followed correctly could result in equipment damage or failure.

GENERAL SAFETY WARNINGS

- ⦿ Electrical equipment can be hazardous if used incorrectly.
- ⦿ Do not use electrically operated beds in the presence of flammable gases.
- ⦿ Use the bed to support one patient only. The bed is intended for one person use and may become unstable if used incorrectly.
- ⦿ The safe working load of the bed is 220Kg. This includes the mass of the patient, mattress and any accessories fitted to the bed.
- ⦿ Do not place the power cord across the mattress surface of the bed. When the bed is not connected to mains power always store the power cord within the power cord fixtures fitted to the bed.
- ⦿ Do not use accessories that are not designed, or approved for use with this bed.

3. WARNINGS & CAUTIONS - Continued

GENERAL SAFETY WARNINGS

- ◎ Before operating the bed make sure that the patient is safely positioned to avoid entrapment.
- ◎ It is recommended that the product installation process be operated by two people.
- ◎ It is recommended to place the bed on a clean, flat floor or platform.
- ◎ It is prohibited to use this product when the bolt of backrest locking device is not fixed.
- ◎ Before transporting the bed make sure the power cable is disconnected from mains power and the bed is at a suitable height to move without stooping, or straining.
- ◎ Always apply the brakes when the bed is stationary.
- ◎ When the patient's condition could lead to patient entrapment the mattress support platform should be left in the flat position whilst unattended.
- ◎ Always ensure that all hospital lines and power cables are free from possible entanglement with mechanical parts of the bed.
- ◎ Always ensure that attendant and patient limbs are free from potential entrapment areas before operating any functions, especially in the up and down movement of backrest.
- ◎ In special circumstances (power failure, accidental movement, etc.), the bed should be immobilized immediately and the patient or user should be moved to a safe place.

3. ELECTRONIC FUNCTIONS

WARNING

- ⊙ Ensure that the patient, caregivers and other equipment is not positioned to become either trapped, or crushed during bed adjustment.
- ⊙ Ensure that the coiled power lead is not stretched excessively
- ⊙ Ensure that the electrical supply cable cannot become entangled with moving parts of the bed.
- ⊙ **DISCONNECT** the electrical power cable from the mains and store before transporting the bed.
- ⊙ If the power cable shows any sign of damage, replace immediately.
- ⊙ Some functions may cause injury to the patient if unintentional movement occurs.

CAUTION

- ⊙ Do not operate the bed controls for more than the control systems prescribed duty cycle (i.e. 6 minutes during a 60 minute period).

⊙ The deck height adjustment of the EE and EP series is accomplished by a separate motor vertical lifting mechanism by controlling the foot pedal.

⊙ other features of the EE and EP series, such as backrest and leg rest movement, are accomplished by releasing the handle.

Placement of Foot Pedal

The foot pedal should be placed on ground with its position of in the middle of the bed for the convenience of nursing staff.

3. ELECTRICTRONIC FUNCTIONS-Continued

3.1 Foot Pedal Operation & Deck Height Adjustment

Height adjustment occurs only while the button “+” or “-” is stepped. Adjustment will stop when the button is released, or the movement selection reaches the end of its range of adjustment.

Foot Pedal

MAIN LIFT UP



MAIN LIFT DOWN

4. GENERAL BED OPERATION

4.1 Switchover of Castor Use Mode - Fixed and Mobile

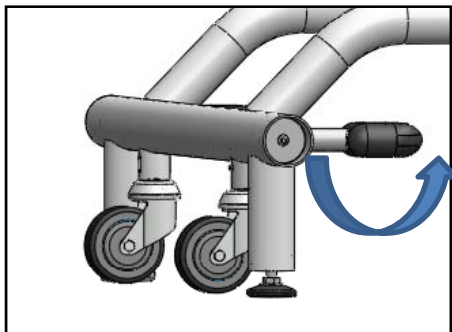
Operation steps:

The castor switchover of this couch is operated by rotary pedal by foot.

1, when the front and rear pedal lever are horizontal, the four castors are lifted and suspended from ground, and the couch stands by four corner foot posts, in a fixed mode and cannot be moved.

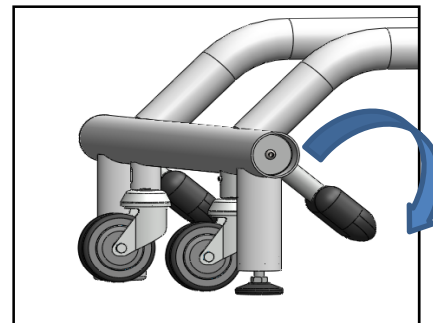
2, when the front and rear pedal levers are stepped down, the four castors land on the ground, and the four supporting columns are suspended, and the couch is in a mobile mode.

when moving the couch, it is recommended to push the top edge of the foot rest board at foot end.



1

FIXED STATE



2

MOBILE STATE

CAUTION

- ⊙ Disconnect the bed power cord before moving the bed.
- ⊙ Do not remove the power cord from the source by pulling on the cord.
- ⊙ Do not pull on the power cord or foot pedal cord to manoeuvre the bed.
- ⊙ Always apply the brakes when the bed is in a stationary position.

4. GENERAL BED OPERATION - Continued

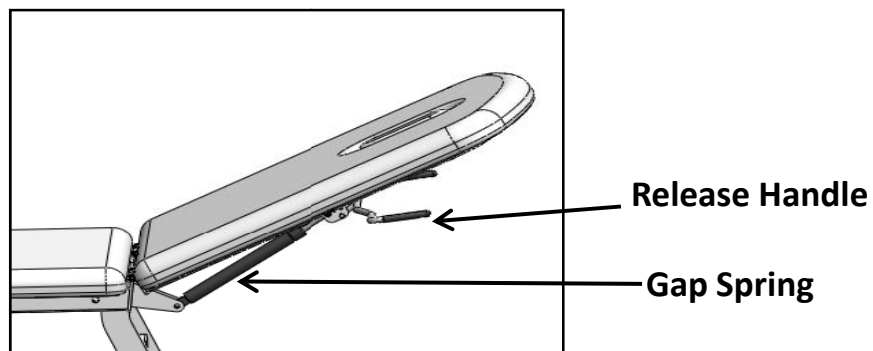
4.2 Backrest Adjustment

The back rest is adjusted by operating the release handle to control the gas spring.

Holding the frame of the back rest with the palm of the hand and the red lever with the fingers, pull the handle towards the back rest frame. This releases the braking mechanism of the gas spring allowing it to raise or lower. Release the handle when the desired position is reached to lock.

Back adjustment angle is 0-75 °.

Backrest Adjustment



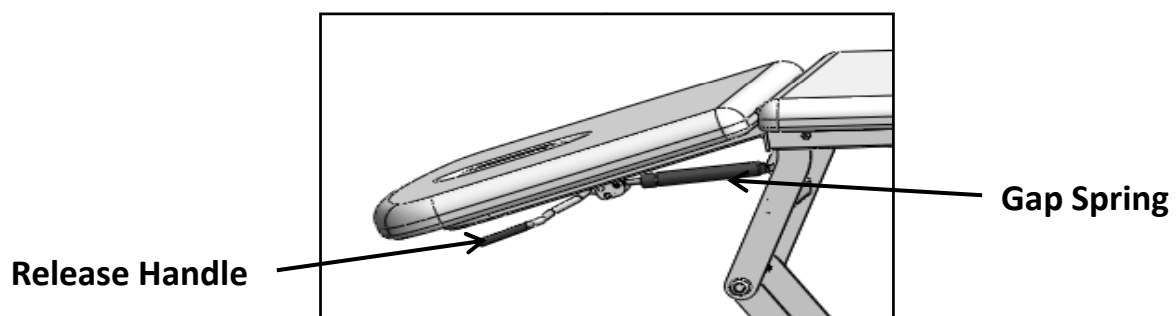
4.3 Leg Rest Adjustment

The Leg rest is adjusted by operating the release handle to control the gas spring.

Hold up the red lever with the fingers, at the same time push down the leg rest frame with the other hand. This releases the braking mechanism of the gas spring allowing it to raise or lower. Release the handle when the desired position is reached to lock.

Leg rest adjustment angle is 0-30 °.

Leg Rest Adjustment



5. PACIFIC COUCH SPECIFICATIONS

5.1 Pacific Series Specifications

Model No.	Length (mm)	Width (Excluding side rails) (mm)	Deck Height Range(mm)		Back rest angle adjustment (°)	Knee bend adjustment (°)	Sections	Safe working Load (kg)	Numbers of actuators
			Low height	High height					
EP320	1950	700	460	940	75	-30	3	220	1
EP220	1950	700	460	940	75	-	2	220	1
EP120	1950	700	460	940	-	-	1	220	
EE320	1950	700	460	940	75	-30	3	220	1
EE320	1950	700	460	940	75	-	2	220	1
EE120	1950	700	460	940	-	-	1	220	

- Note: 1) Tissue holder and one step and two steps are optional for all models.
 2) Color of cushion is optional
 3) Major difference among the models is below.



5. (ECLIPSE COUCH SPECIFICATIONS - CONTINUED)

5.2 Parameter Table

Electric Parameter	
Power Input	220V AC 50/60Hz, Max current 2.5A
Rate Load	interruption 10%, Max 2 minutes / 18 minutes
Leakage Protection	Class 1 Type B ⚡
Waterproof Grade	IP54

Standard
Pacific couches are designed and manufactured in compliance with International Standard IEC 60601-2-52 where applicable and passed EMC/EMI test.

Bed Weight & Safe Working Load (approximately)	
Weight	56Kg
S.W.L Safety Factor = 2 x S.W.L	220Kg

6. Cleaning

WARNING

Before cleaning always disconnect the bed from the mains power source.

Note: It is strongly recommended that protective clothing be used when carrying out cleaning processes.

Note: The following procedure also applies to the beds accessories, but does not include mattresses.

- Wipe the beds surfaces with a soft cloth moistened with hot water and mild detergent (or the hospital's recommended cleaning solution). It is recommended that the cloth be a white material to prevent bleeding of die colours to the bed. Take extra care in areas that can harbour dirt or dust.
- Rinse with clean water and a dry clean cloth.
- To remove potentially infectious materials such as body fluids, or when the bed has been used by someone with a known infection. Clean with NaDCC (e.g. Presept, Actichlor) at 10,000 ppm of available chlorine. Rinse and dry.

CAUTION

Do not use abrasive Hypocarbonate or Phenolic compounds or pads.

7. MAINTENANCE

The following preventative maintenance procedures should be carried out every 12 months.

Note: Other than general maintenance activities all other service or repair work must be performed by qualified and trained persons who are approved by CareTek.

WARNING

The bed must be disconnected from the mains power supply before starting any maintenance activity.

GENERAL	
1	Disconnect the bed from the mains power supply.
2	Examine the bed for obvious signs of damage. All aspects of the equipment should operate as intended. Check that all nuts, bolts and other fasteners are tight and are not missing.
3	Examine flexible cables and conduits for cuts, cracks, abrasions or other deterioration.
4	Check that the power supply plug is not damaged. If either the power cable or plug is damaged then both the cable and plug must be replaced as a complete assembly by an approved service agent.
CENTRAL LOCKING SYSTEM	
1	Step the pedal lever down and push the bed forwards, check if each castor is normal in rotating.
2	When the pedal lever in horizontal, the bed is in fixed state.
3	If either the brakes or the steering locks are not working correctly contact an approved service agent.

8. TRANSPORTATION AND STORAGE

Handle with care.

The bed should be stored in a clean, dry well ventilated area.

Do not drop and avoid shock or violent impact when transporting.

The following limits apply during transport and or a storage period of up to 15weeks duration: :

Ambient temperature	-25°C	To	+70°C
Relative humidity	10%	To	75%
Air pressure	50kPa	To	106kPa

The following limits apply to normal operating conditions and or periods of storage longer than 15 weeks:

Ambient temperature	+10°C	To	+40°C
Relative humidity	30%	To	75%
Air pressure	70kPa	To	106kPa

When storing the bed, or when the bed is not in use for prolonged periods of time it is recommended that the beds battery system be maintained periodically using the following guidelines:-

9. ACCESSORIES

There are a range of accessories to suit the pacific bed available from CareTek. Please contact CareTek for details.

Accessories that may be used on the bed:	
Product Code	Description
PE220-01-3-ASM	One Step
PE320-01-5-ASM	Two Steps

WARNING

Do not use accessories that have not been designed for use with the Eclipse couch.

10. SERVICE AND MAINTENANCE

For service, maintenance and any questions regarding this, or any other Caretek product please contact your local distributor.

For information on your local warranty and sales support please contact Caretek.



Caretek (China) Medical PLC
CBL House, Guanqiao
Shilou Town, Panyu District, Guangzhou
Guangdong Province, China 511447
TEL: +8620-84846868
FAX: +8620-84847888